

PULSAR PLUS

Small is huge

Smart EV charging technology made simple.



wallbox ™

PULSAR PLUS

Small is huge

The Pulsar Plus is small yet powerful - it can charge up to 7,4kW. Its **minimalist design** provides you with a stylish home charger. Connect to **MyWallbox** App through Wifi or Bluetooth and control your charging sessions. Choose from either a type 1 or type 2 cable.



What is the Pulsar Plus charging power?

Up to 7,4 kW* for monophase grids.



What are the connectivity options for Pulsar Plus?

Wi-Fi and Bluetooth.



Which cables are compatible with Pulsar Plus?

Use Type 1 or Type 2.

**Final charging power depends on the charger settings, installation and vehicle.*



PULSAR PLUS

Small is huge



Compact

Designed to provide a minimalist yet powerful home charging station.



Smart

Add load balancing with Power Boost* to allow faster charging when more power is available at home.



Easy

Simply plug and charge. The charger's LED light color indicates the charging status.



Easy and clean installation

The built in earthing solution and the integrated DC leakage protection optimise the Pulsar Plus installation, making it cleaner of additional components, faster and cheaper.



Connected

Control your charger with your smartphone via Wi-Fi and Bluetooth.

**Optional feature.*

THE WALLBOX CHARGING EXPERIENCE

Simple, fast and convenient EV charging experience

Our team is there to support you on your next steps



1 Installation

Our certified local experts will install your charger and make sure it works.



2 Platform

MyWallbox allows you to stay in control of your charging.



3 Service

We offer remote diagnosis and in sight assistance to trouble shoot any potential issues you might have.

EXPERT SERVICE

Certified installation and maintenance

Customised installation

A certified installer will visit your home and provide you with a customised solution and quote.

Safe and compliant

Your charger will be installed safely, according to your local regulations and our warranty guidelines.

Reliability

Our service team will be on hand anytime of day to support you if you need them.

MY WALLBOX CLOUD PLATFORM

Take control of your charger



ONE CLOUD, MULTIPLE WAYS TO **ACCESS YOUR CHARGER**

MyWallbox is an intuitive platform that allows you to make the most out of your charging experience:



Remote control

Lock and unlock your charger remotely to avoid misuse.



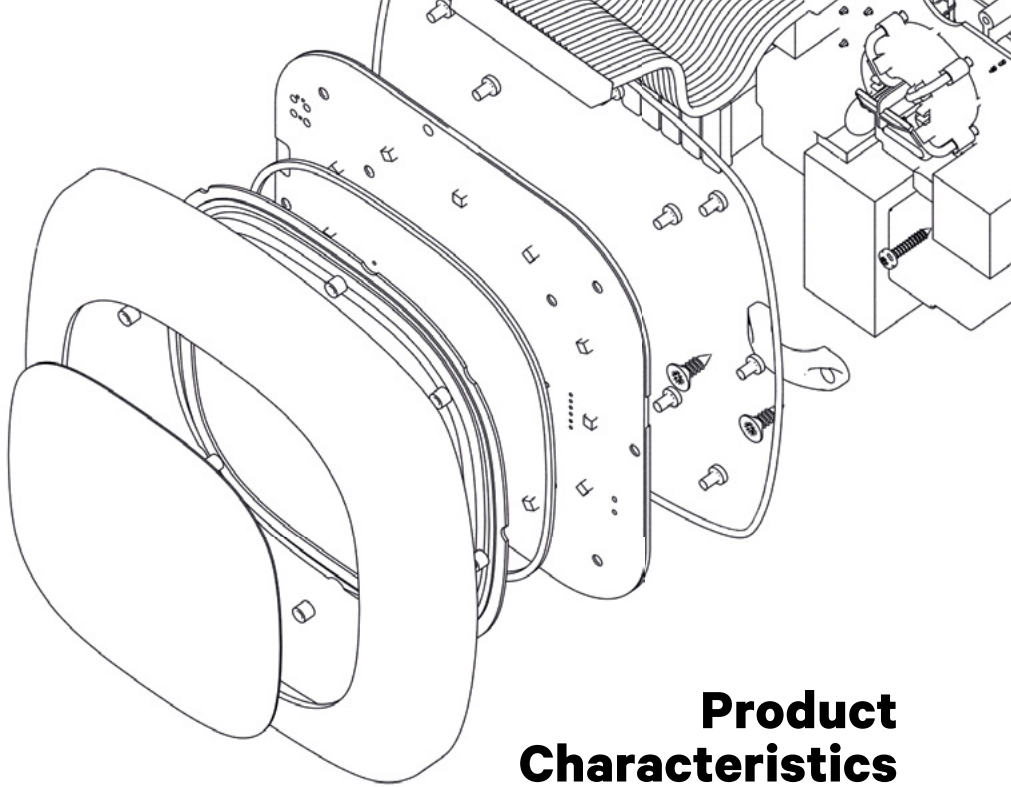
Save money

Schedule charging sessions when tariffs are cheaper.



Real-time notifications

Know when your charging session has finished.



Product Characteristics

GENERAL SPECIFICATIONS

Colour:	White or Black
Charging	Mode: Mode 3
Dimensions:	166x163x82 mm (without cable)
Weight:	1 kg (without cable)
Cable length:	5 m

CONNECTIVITY & USER INTERFACE

Connectivity:	Wi-Fi / Bluetooth
User Identification:	MyWallbox App & Portal
User Interface:	MyWallbox App & Portal
Charger Status Information:	Halo RGB LED MyWallbox App & Portal
Included Features:	Power Sharing Smart
Optional Features:	Power Boost Dynamic Power Sharing

ELECTRICAL SPECIFICATIONS

Charging Power:	7,4 kW
Rated Voltage AC±10%:	230 V
Rated Current:	32 A
Connector type:	Type 1 or Type 2
Cable Width:	10 mm ²
Configurable Current:	from 6 A to 32 A
Protection Rating:	IP54 / IK08
Residual Current Detection:	DC 6 mA



Contact Us



Business name:

Address:

Phone number:

Email address:

Website: